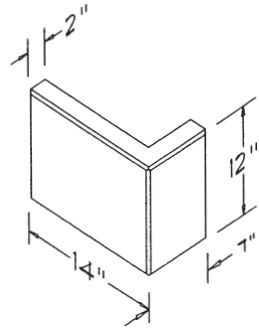
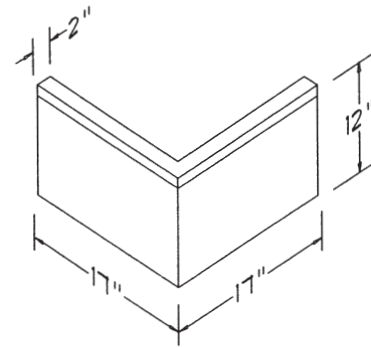


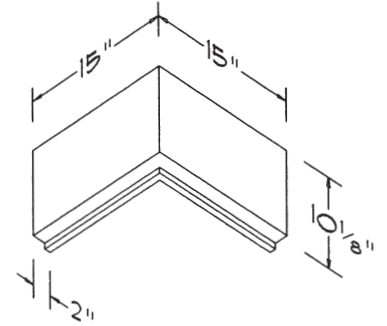
QN-601
(RUSTICATED FINISH)



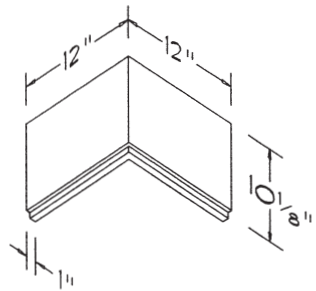
QN-602



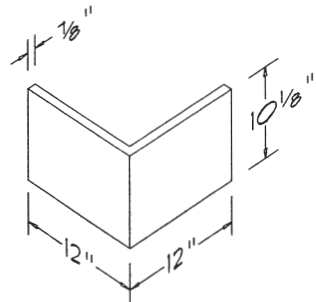
QN-603



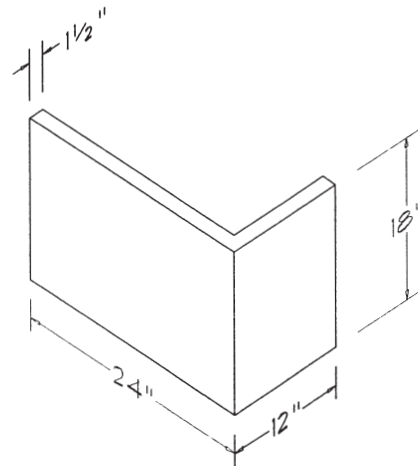
QN-604



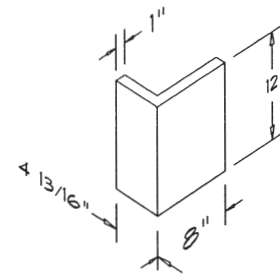
QN-605



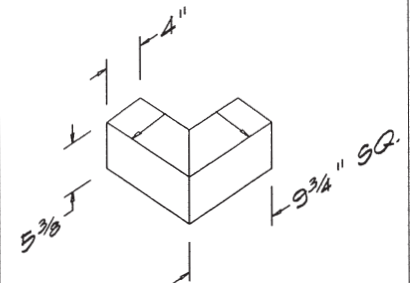
QN-606



QN-608



QN-609



QN-610

ALL QUOIN COMPONENTS ARE CAST WITH A 1/4" TOLERANCE

DATE: 12-6-95

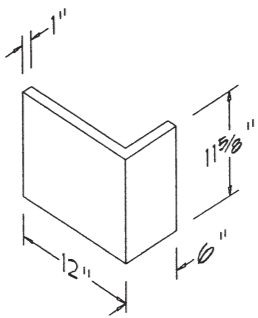
SCALE: N.T.S.

NAPA STONE

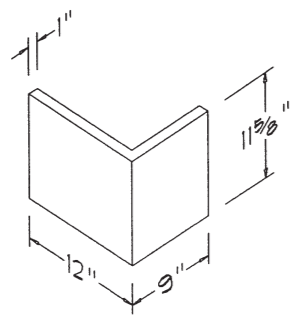
LIBRARY OF
BASIC COMPONENTS

QUOIN

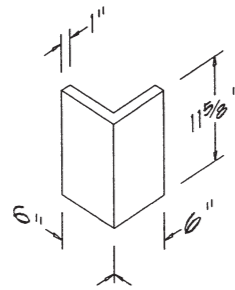
C9



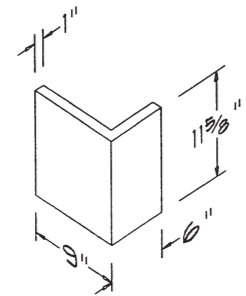
QN-611



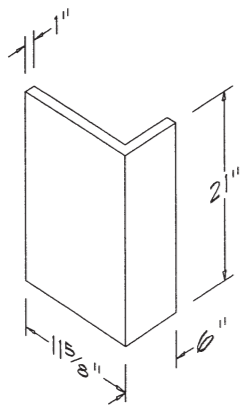
QN-612



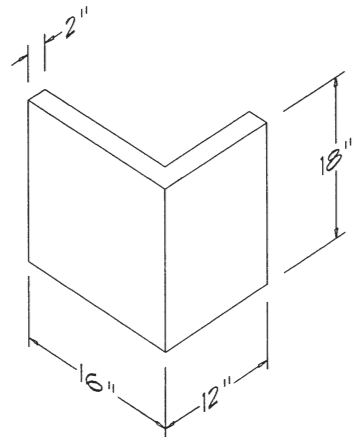
QN-613



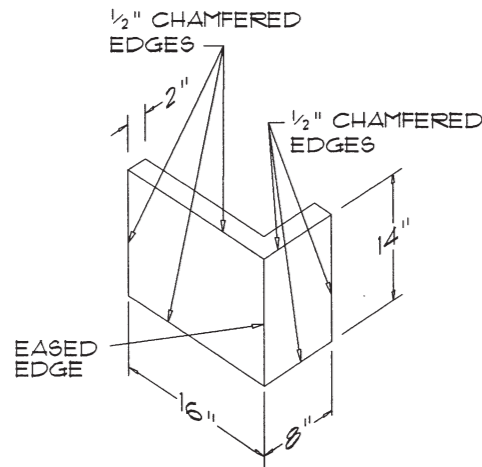
QN-614



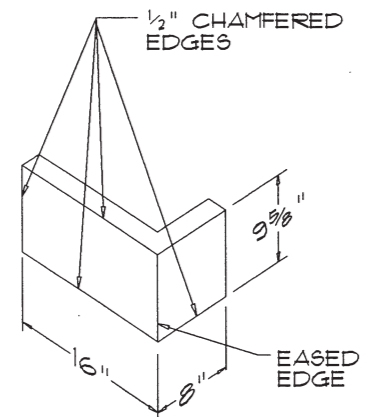
QN-615



QN-616



QN-617



QN-618

ALL QUOIN COMPONENTS ARE CAST WITH A 1/4" TOLERANCE

DATE: 4-8-97

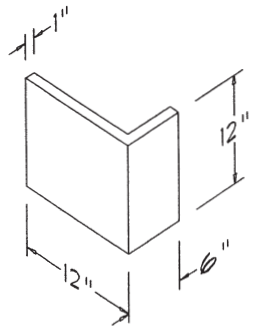
SCALE: N.T.S.

NAPA STONE

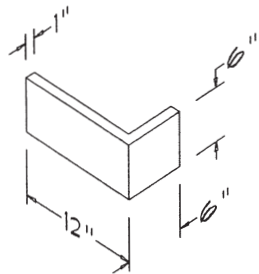
LIBRARY OF
BASIC COMPONENTS

QUOIN

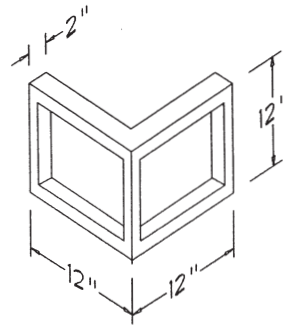
C9.1



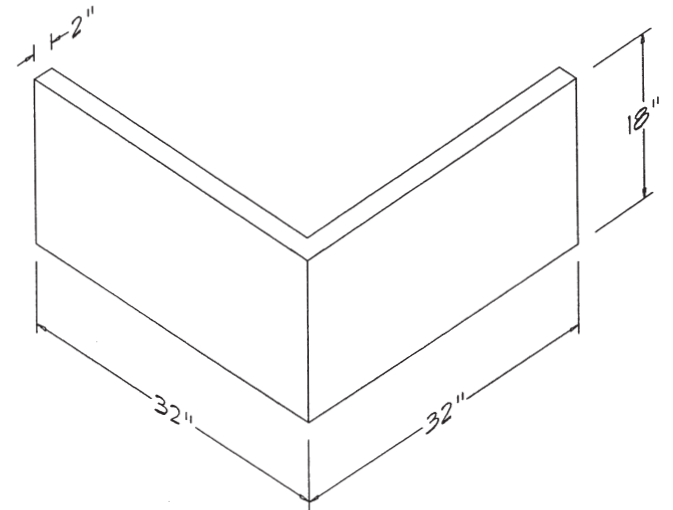
QN-619



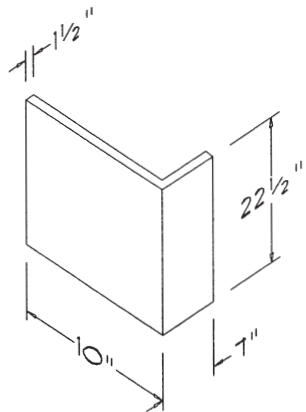
QN-620



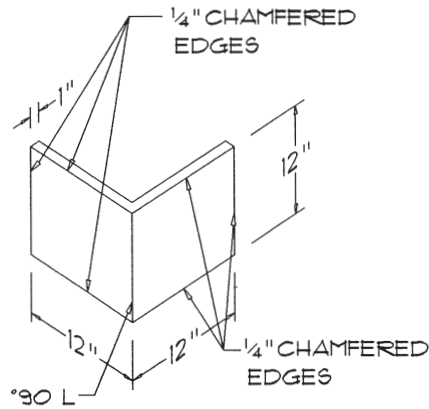
QN-621



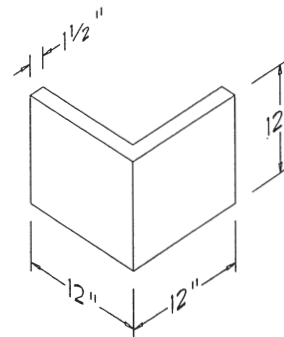
QN-622



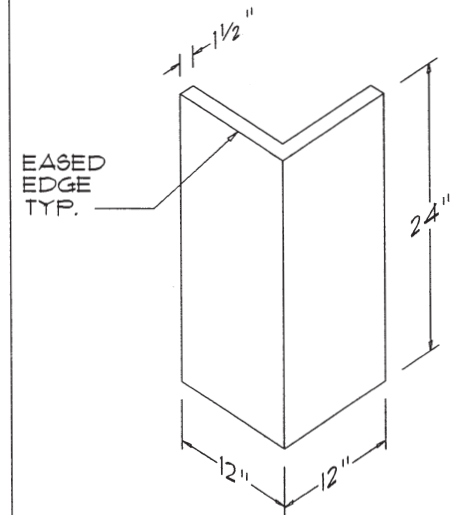
QN-623



QN-625



QN-627



QN-628

ALL QUOIN COMPONENTS ARE CAST WITH A 1/4" TOLERANCE

DATE: 4-8-91

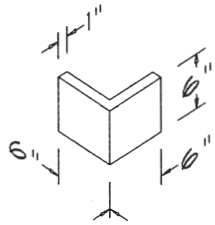
SCALE: N.T.S.

NAPA STONE

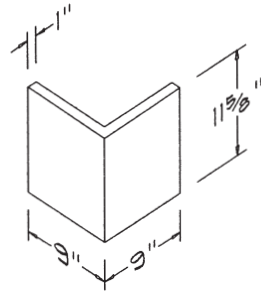
LIBRARY OF
BASIC COMPONENTS

QUOIN

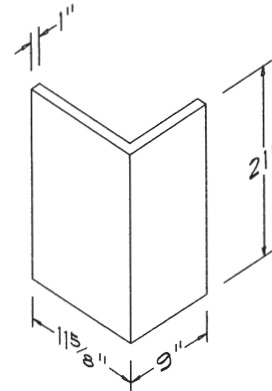
C9.2



QN-629



QN-630



QN-631

ALL QUOIN COMPONENTS ARE CAST WITH A 1/4" TOLERANCE

DATE: 4-8-97

SCALE: N.T.S.

NAPA STONE

LIBRARY OF
BASIC COMPONENTS

QUOIN

C9.3

